




**EDITION PRO Wall-mounted single-lever basin mixer without pop-up waste -  
Chrome**

---

36 810 626



- 170mm projection
- fixed spout
- circular, air-enriched flow
- hole diameter spout 37 mm
- hole diameter single-lever mixer 57 mm
- rosette for spout Ø 55mm
- rosette for mixer Ø 78mm
- max. flow 7 l/min
- lead-free

	Chrome	36 810 626-00
	Matte Black	36 810 626-33
	Brushed Chrome	36 810 626-93

**Required miscellaneous**

---

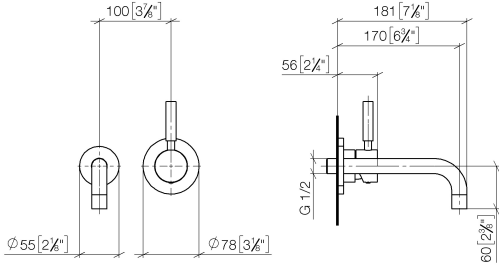


**EDITION PRO Concealed wall-mounted single-lever mixer mixer on right -** 35 870 970 90

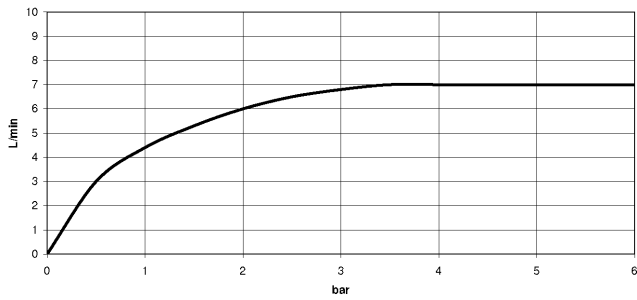
- max. recess depth 95 mm
- min. recess depth 80 mm

**EDITION PRO Wall-mounted single-lever basin mixer without pop-up waste - Chrome**

36 810 626  
mm [inches]



**Flow rate chart**

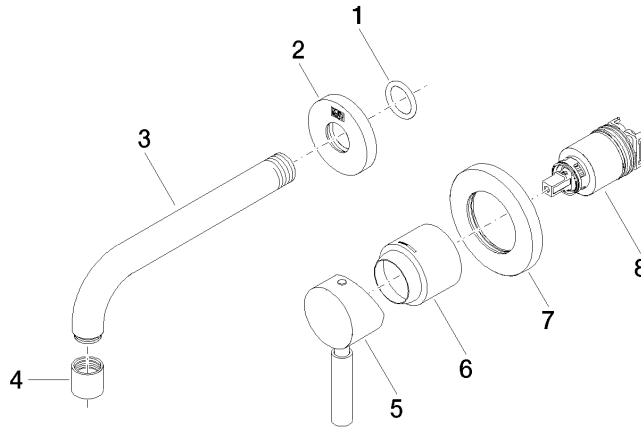


**Certificates**

WRAS\_2107048. LGA\_9280.

**EDITION PRO Wall-mounted single-lever basin mixer without pop-up waste -  
Chrome**

36 810 626



**Spare parts list**

No.	Item Number	Name	Quantity used	Delivery time
1	90 14 10 026 00 90	seal	1	2
2	09 27 22 503-00	rosette	1	10
3	04 28 22 115 10-00	spout	1	10
4	90 23 01 019 00-00	aerator	1	10
5	90 20 62 040 00-00	handle	1	10
6	09 11 02 522-00	cover	1	10
7	90 27 62 011 00-00	rosette	1	10
8	90 15 05 064 01 90	cartridge	1	2